

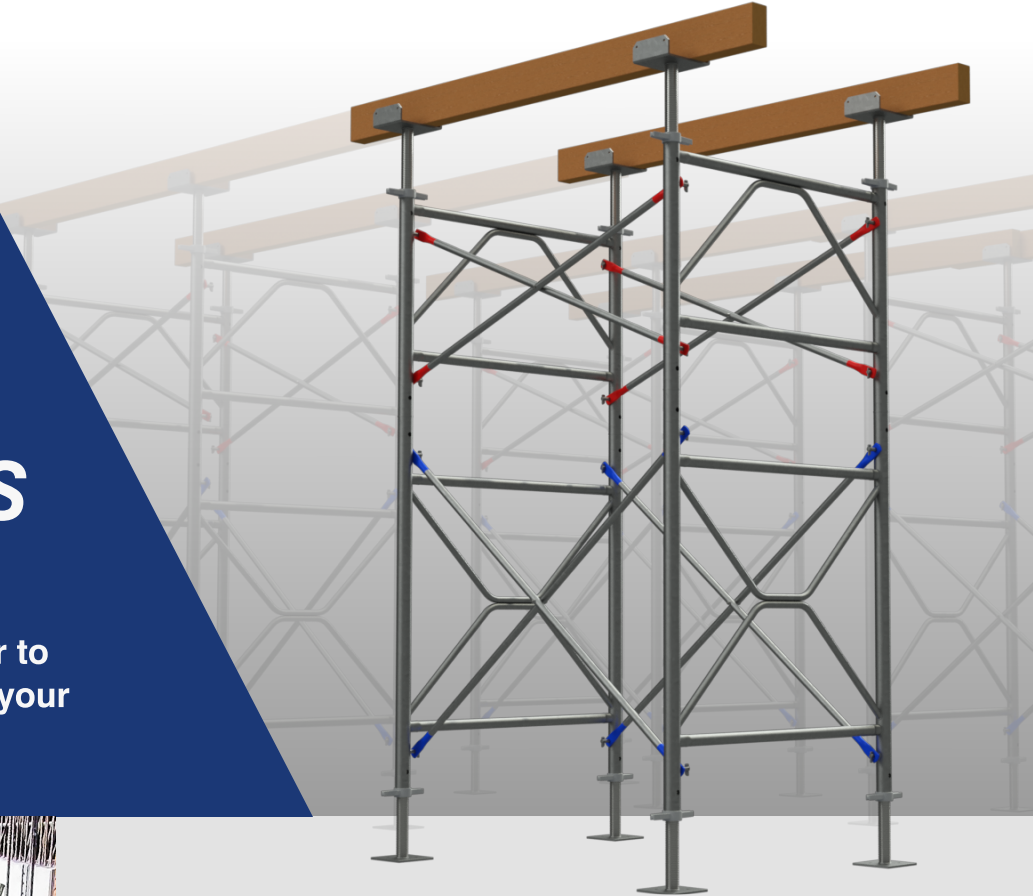
DYNATON SHORING FRAMES

Data Sheet



VERSATILE SOLUTIONS

All our products work together to provide the best solution that your project demands.



Dynashore, quick and easy shoring system

Our Dynashore Tower system is easy and quick to handle. Only four components are required to assemble a full tower: Frames, Braces, Jacks and Spigots. It proves to be a fast system for your project, saving time during assembly or dismantle.

Stronger than other similar systems, Dynashore can resist a maximum load capacity per leg of 34kN, and 136kN per tower.

Our system is ideal for building high shoring towers as the capacity of the frames is not reduced when the height is increased. This provides a fast solution by covering the same floor area with less towers, without compromising safety.

With five different frame sizes, it's easy to adjust to any floor height, offering versatility on complex slabs.

When a crane is available, large towers can be assembled horizontally and lifted up to final position, avoiding risk of working at heights. This also applies to repetitive jobs, when cycling the towers to a new position is required, saving time erecting and dismantling towers.

All components are made of hot dipped galvanised steel and designed to comply with the Australian and New Zealand Standards.

Available to hire or purchase.

 **NEW ZEALAND**
Unit 19/46 Elllice Road
Wairau Valley, 0629
+64 9 440 9696
sales@dynaton.co.nz

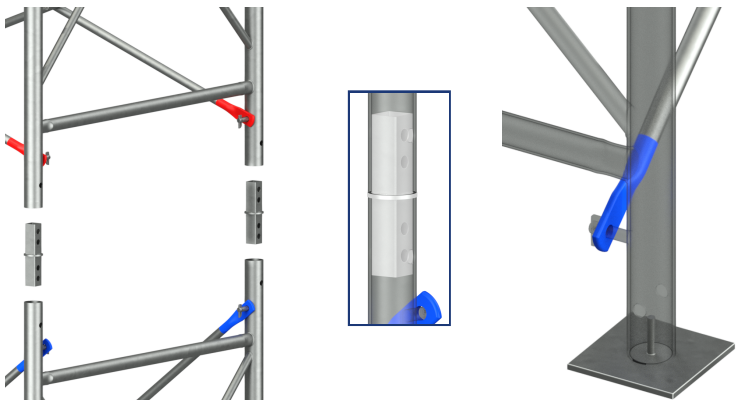
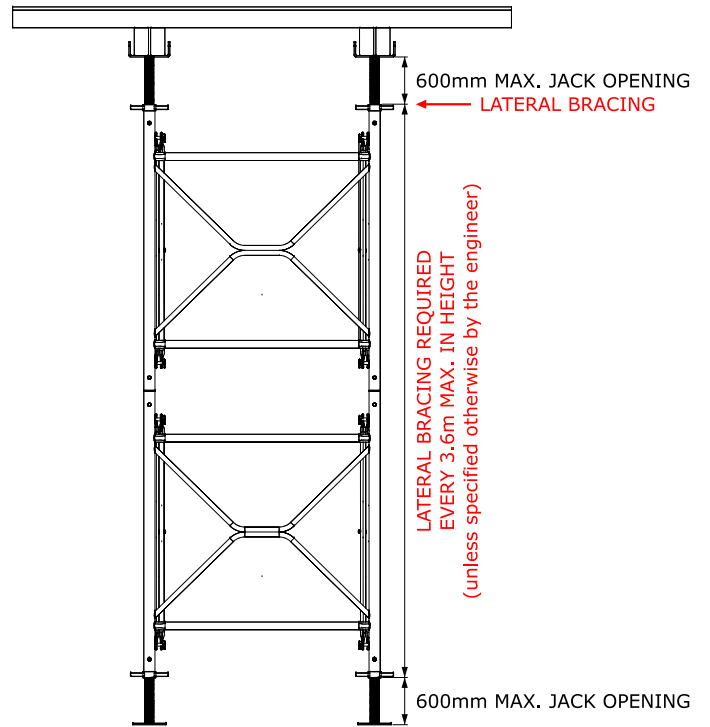
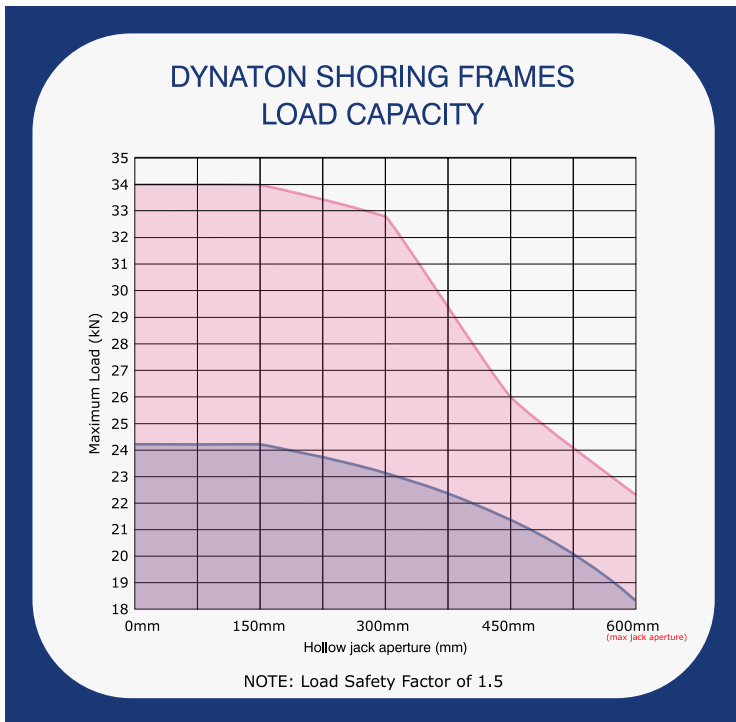
 **AUSTRALIA (Brisbane)**
213 Sandy Creek Road
Yatala, QLD, 4207
+61 7 3287 4633
sales@dynaton.com.au

 **AUSTRALIA (Sydney)**
Unit 3, 15 Bosci Road
Ingleburn, NSW, 2565
+61 2 8711 3470
sales@dynaton.com.au

Choose Dynaton for quality
formwork and scaffold products
Visit us at www.dynaton.co.nz

DYNATON SHORING FRAMES

Data Sheet



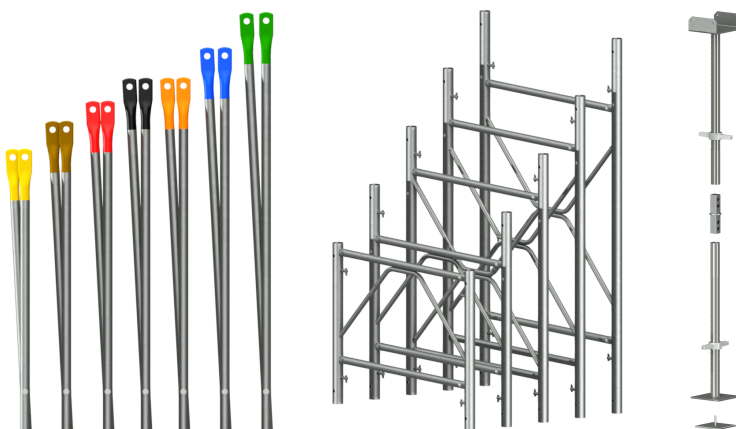
Shoring Frame Spigot to stack shoring frames on top of each other when adjusting to desired height. It comes with four 17.5mm diameter holes to lock the frames in position when the towers are crane lifted or cycled to the next position without dismantling them.

Shoring Frame Base Plate is required to resist punching of the frame into a concrete slab when a base jack is not required.

Full-Round Service

Dynaton is always ready to provide experienced service from start to finish. Along with our complete range of products, our Sales, Engineering, and Onsite teams are always available to support your project.

We design, manufacture and commercialise all our products, under strict compliance standards for Australian and New Zealand regions.



A wide variety of sizes for **Frames and Braces** provides a wide range of possibilities. There are seven sizes of braces and five sizes of frames that allow multiple design combinations: from H-414mm (31) x W-1,218mm (41) to H-2,129mm x W-1,524 (51). Additional to the frames and braces, the **Jacks (L-Head and Base)** and the **spigot connector** are the only main components needed to assemble a shoring tower. With only four main components, the Dynashore shoring system proves to be an easy and fast way to safely support horizontal structures.



Dynashore towers can also be crane-lifted. It's usually done when the tower is attached to a table-form system, mainly for repetitive concrete pours. The entire tower must be bolted together to avoid it from coming apart.

